

[For more information go to StairDesignsoftware.net](http://StairDesignsoftware.net)

How ever complexe your projet:
Make it easy with **StairDesigner**

From site dimensions to workshop plans
in a few minutes !



- **Gain time and money**
- **Cut out design and mark up errors**
- **Stop unnecessary work**
- **Easy to learn and even easier to use**

Whether your stairs are straight, turning, curved wreathed classical or modern design you can calculate and draw them within minutes with StairDesigner.

- **Stop spending hours over your drawing board and calculator for each stair design.**

With Stair Designer you just type in a few sizes and StairDesigner will calculate optimize and draw your stairs and each stair part in 2D and 3D.



- **Stop waisting time correcting errors on the shop floor.**

StairDesigner automatically prints out a workshop folder with all the manufacturing plans and cutting lists. You get automatically the full size templates for each part and a DXF file for CADD/CAM and CNC routers, instantly and with no errors !

- **Add a plan and 3D views to all your estimates. even using the free demo version**

Send a plan and 3D views with all your estimates. StairDesigner is so fast easy to use you can draft up plans and 3D views in seconds. This even works with the free demo version so you don't spend a penny.

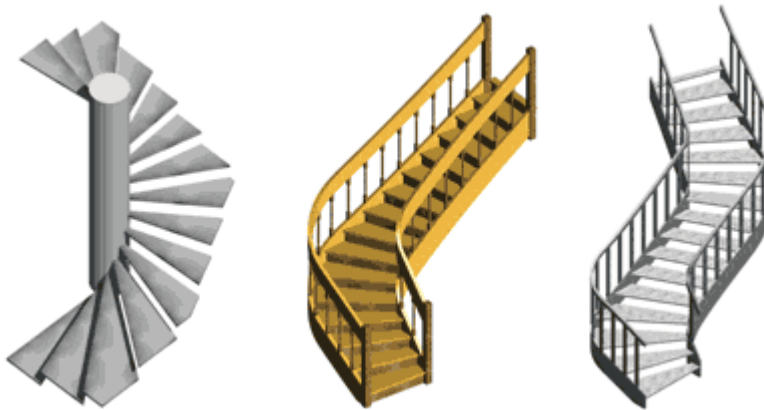
[For more information go to StairDesignsoftware.net](http://StairDesignsoftware.net)

click below to download your free demo version of StairDesigner :

StairDesignsoftware.net : professional stair design software

an over view of STAIRDESIGNER

- **StairDesigner** is a versatile stair design software. You can build spiral stairs, straight flights, turning stairs with winders, curved stairs, central cut string stairs and more. Stair Designer can be used for wood, metal or stone stairbuilding. Special functions are included for drawing stair parts (wood or marble) covering concrete stairs.
- **StairDesigner** enables you to quickly input stair dimensions and automatically calculates the stairs to standard building regulations.



- **StairDesigner** uses special algorithms to calculate and optimised stringers and step shapes and positions. This makes turning stairs with winders easy and safe to use. Stair Designer can build stairs with cut strings, boxed strings, straight, curved and wreathed.
- **StairDesigner** calculates automatically all the stair parts, strings, steps, risers, newel posts, spindles and hand rails. The plans, parts and cutting lists can be printed out in a workshop folder and full size part templates can be printed as workshop mark ups for cutting and machining. DXF files can be exported for CAD/CAM programs and CNC routers.
- **StairDesigner builds** real 3D models with wood textures and lighting and transparency.

For a demonstration please visit stairdesignsoftware.net : page : 2

[For more information go to StairDesignsoftware.net](http://StairDesignsoftware.net)

StairDesigner functions

Stair wells & Flights

- Calculates spiral and helicoidal stairs.
- Up to 7 Flights per stair.
- Each flight can have its own length width.
- variable angles for first and last steps.
- Variable angles between each flight.

Automatic calculations and verifications

- Calculates step height, going and tread line.
- Verifies des 3 paramètres H, G, et Tread line, with Mini et Maxi values.
- Quick wizard Fonction optimizes the number of steps and flight lengths.
- Automatic and optimized dividing of balusters for closed and cut strings.

Balancement

- Automatic step balancing function. Gives optimized steps and stringers.
- Fully parametric balancing function , work on groups, fix steps, works on any shape staircases.

« S » shape stairs:

With **StairDesigner** draw any shaped stair with up to 7 flights at any angle, any turn, each with its own specifications.

Draw S shaped stairs, L shaped stairs, U shaped stairs, any shaped stairs.



Steps and Risers

- Move and rotate any step individually.

For a demonstration please visit stairdesignsoftware.net : page : 3

[For more information go to StairDesignsoftware.net](http://StairDesignsoftware.net)

- All assembly details are parametric, thickness, overlaps, recesses, etc....

Strings, Newel posts, and Handrails

- Fully parametric straight, curved, wreathed, closed or cut strings.
- Parametric newel posts, handrails and balusters



[For more information go to StairDesignsoftware.net](http://StairDesignsoftware.net)

Stairs built with StairDesigner

Calculate and draw a quarter turn stair with winders:

starting from on site dimensions that are input into StairDesigner. The program calculates the stairs, optimizes the number of steps, the step height and going and draws the plan.

- **Design time : about 30mins**

The image shows a screenshot of the StairDesigner software interface. On the left, the 'Stairwell Parameters' dialog box is open, displaying a table of flight parameters and various input fields.

Flight	Reference	Length	Opp Lgth	Width	Angle	Left Rotation
1	Left	1500.000	700.000	800.000	0.00	<input type="checkbox"/>
2	Left	2800.000	1200.000	800.000	90.00	<input type="checkbox"/>
3	Left	1500.000	700.000	800.000	90.00	<input type="checkbox"/>

Below the table, there are input fields for 'Departure Angle' (0.00), 'Arrival Angle' (0.00), and 'Landing Step' (0.000). There are also buttons for 'Add Flight', 'Delete Flight', 'Update', and 'INIT'. The 'Step Parameters' section shows 'Risers' set to 16, 'Riser Height' at 175.000, and 'Tread Width' at 257.109. The 'Floor Height' is set to 2800.0.

The main application window, titled 'StairDesigner 6.04 - Pro_DXF Version - [boujard.sds]', shows a 3D model of a quarter turn stair on the left and a 2D plan view on the right. The 2D plan view is highlighted with a red border and shows a quarter turn stair with 14 risers and 14 treads. The treads are numbered 1 through 14, and the risers are numbered 1 through 14. The plan view shows the stair's path, including a quarter turn and a landing. The status bar at the bottom indicates 'Ready' and 'CK Maximum Banisters Distance : 105.7 mm'.

[For more information go to StairDesignsoftware.net](http://StairDesignsoftware.net)

Building a 3D model and printing out different 3D views:

StairDesigner builds automatically the 3D model. you can view the model in all its details to verify the design and export different views for commercial documentation.

- **Time to get 3D model : 0 mins**



Workshop drawings and folder :

Once the plans drawn up StairDesigner crates automatically :

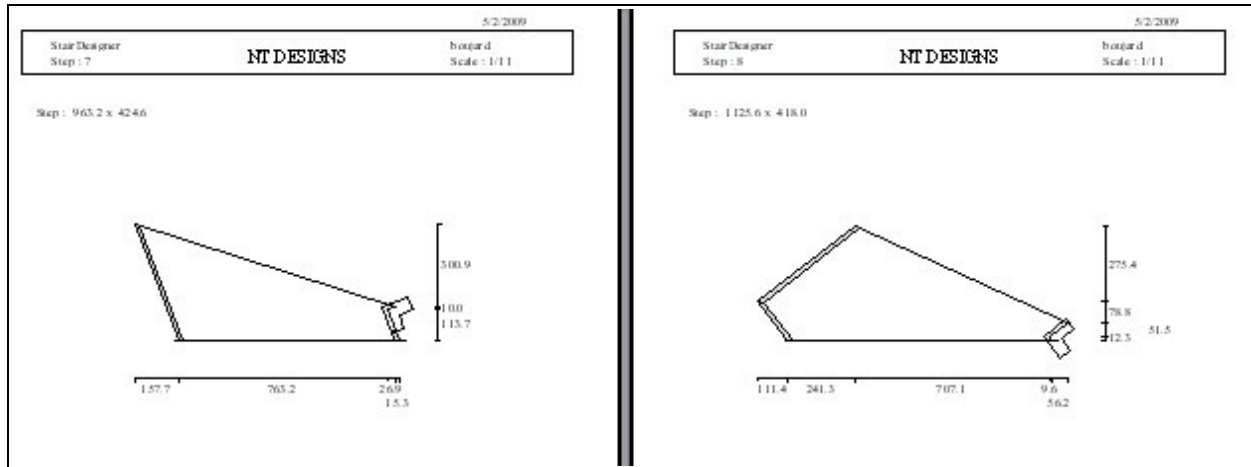
- **workshop folder with a plan drawing and separate drawing for each stair part..**
- **full size workshop templates**
- **DXF files for CAD /CAM and cnc machining.**

- **Time to print workshop folder : 5 to 10 mins**

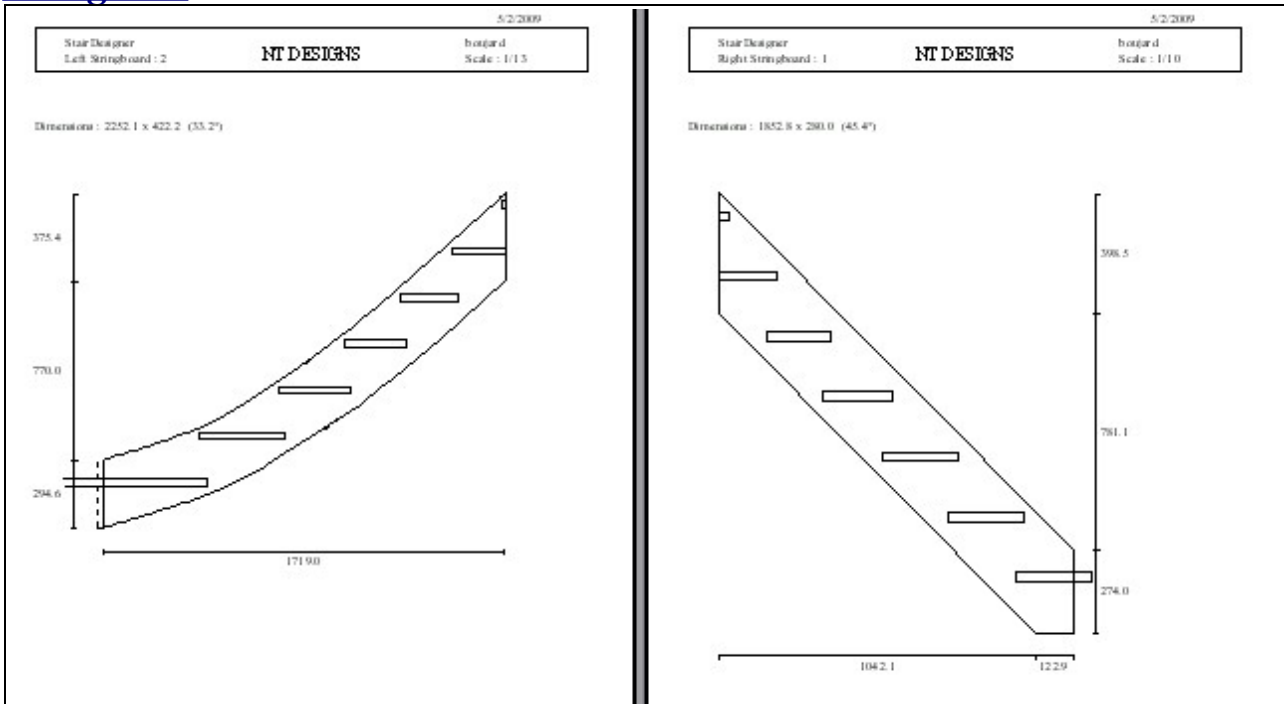
For a demonstration please visit stairdesignsoftware.net : **page : 6**

For more information go to StairDesignsoftware.net

Steps and risers:



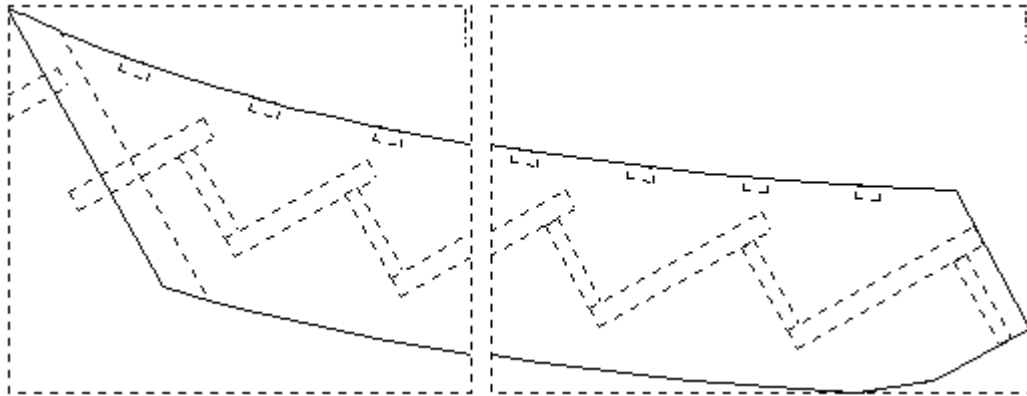
Stringers :



[For more information go to StairDesignsoftware.net](http://StairDesignsoftware.net)

Workshop templates:

StairDesigner draw the templates and optimizes the print out according to the printer paper sizes.



Newel posts and balusters

<p>Star Designer Newel Post : 1</p> <p>NT DESIGNS</p> <p>5/2/2009 Newel Post : 1 Scale : 1:1.7</p> <p>Exterimity Newel Post Right Stringboard Flight : 1 Top View Height : 1161.7 Step 1 Height : 199.1 Front 1 : Stringboard : 0.00 / 45.56 Handrail : 45.56 Front 2 : Stringboard : 0.00 / 45.56 Handrail : 45.56 Front 3 : Stringboard : 0.00 / 45.56 Handrail : 45.56</p>	<p>Star Designer Newel Post : 2</p> <p>NT DESIGNS</p> <p>5/2/2009 Newel Post : 2 Scale : 1:1.7</p> <p>Corner Newel Post Right Stringboard Flight : 1-2 Top View Height : 1886.5 Angle : 90.00 Step 6 Height : 189.8 Step 7 Height : 388.9 Step 8 Height : 588.1 Step 9 Height : 787.2 Front 1 : Stringboard : 45.56 Handrail : 45.56 Front 2 : Stringboard : 44.19 Handrail : 44.19 Front 3 : Stringboard : 44.19 Handrail : 44.19 Front 4 : Stringboard : 44.19 Handrail : 44.19 Front 5 : Stringboard : 45.56 Handrail : 45.56 Front 6 : Stringboard : 45.56 Handrail : 45.56</p>
--	--

For a demonstration please visit stairdesignsoftware.net : page : 8

[For more information go to StairDesignsoftware.net](http://StairDesignsoftware.net)

Prix en Euro – March 2008

SOFTWARE Unit Price SOFTWARE Unit Price

StairDesigner VI : Price without VAT.

StairDesigner VI-Std: 695 €

standard version with only A4 printing

StairDesigner SD-Pro: 865 €

Professional Version, prints full size workshop templates.

StairDesigner SD-Pro_DXF : 1 030 €

All the functions of the pro version plus DXF export.

Note that this is the only version I recommend for professional use. For certain details it is essential to edit the stair drawings with CAD software.

Professionals I strongly advise you to buy this version.

[To buy StairDesigner click <ici>](#)